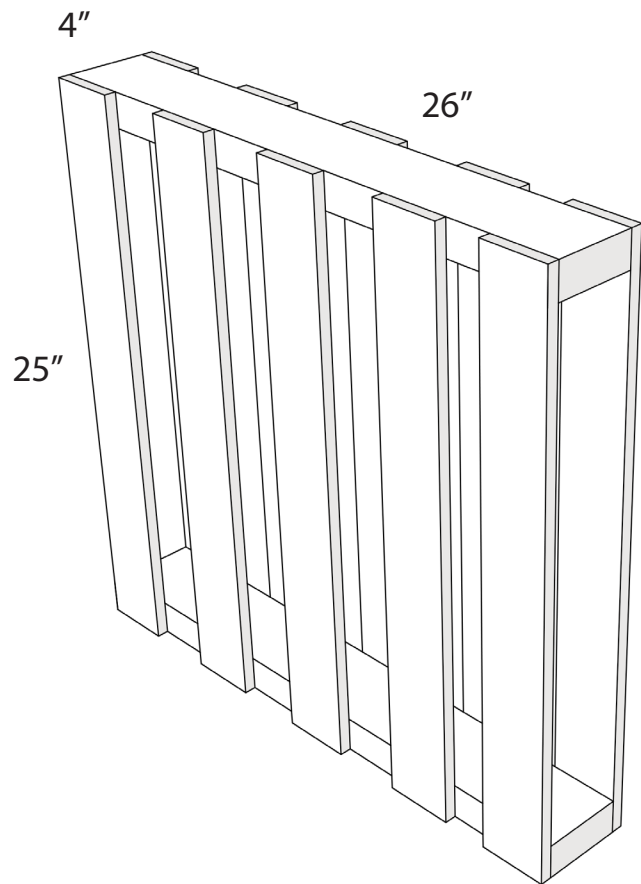


INSTRUCTIONS  the BOOK STOP

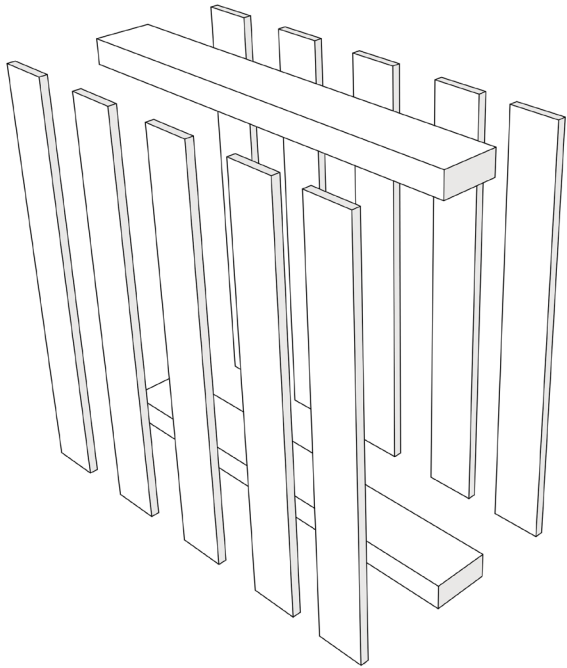


TOOLS + SUPPLIES

*2 palettes, similar size	1-2 hinges
plumbing collar, 2"x2"	4 L brackets
sand paper	hammer
screws, nails	saw
stain + paint	door knob
paint brushes	2 clamps
hammer	tyvek
6 2x4's	2 simpson plates

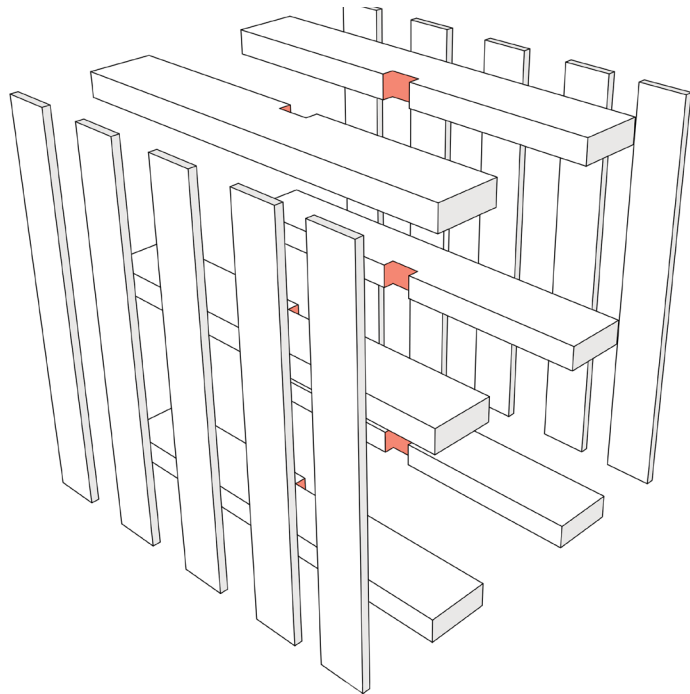
TIME TO BUILD: 7-10 hours

*Part of the appeal of this design is that any size palette can be used. For this specific prototype, we used two palettes measuring 26"x4"x25", which created a space for over 20 books.



1> REMOVE PANELS

In order to create a fully sealed and waterproof space for the books, the first step is to remove the panels. Sand and clean edges as necessary depending on the condition of your palette.

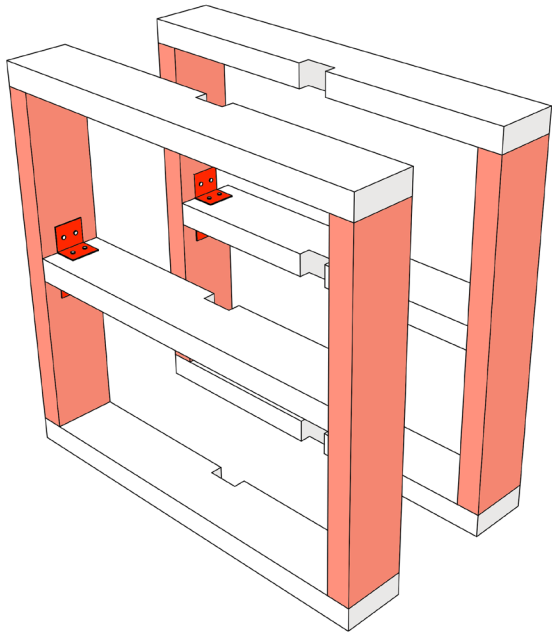


2> NOTCH

Create a 1" x 2" notch in the center of each 2x4 which will be used to hug the pole. Use two more 2x4's for the center shelf and add a notch to these. While the specific dimensions of your palette may vary, the length of these two center 2/4's is 23".

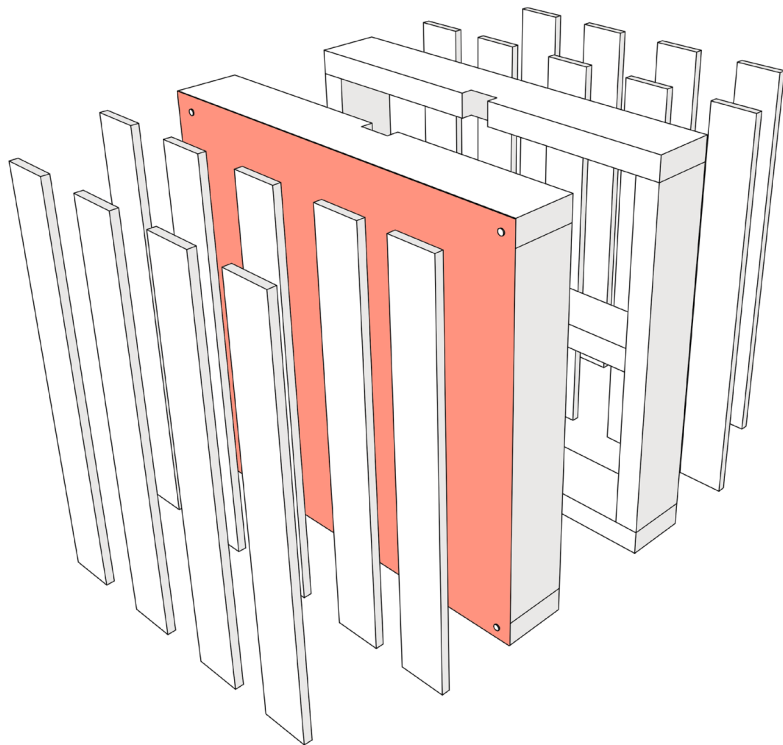
3> ADD ENDS

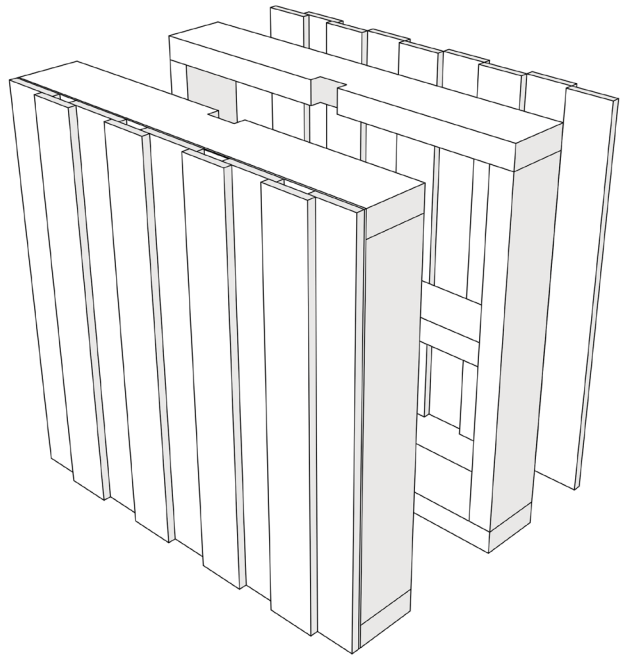
Use four 2x4's for the ends of the box. Use L brackets for the center attachment and use screws for the attachment to the top and bottom 2x4's.



4> LAYER BACK

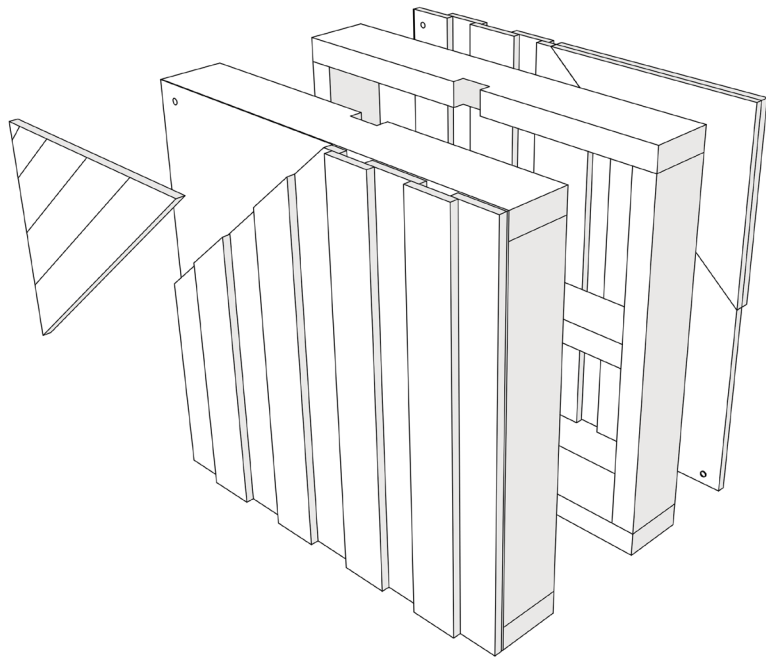
Now time for the weather proofing. On one side, add a layer of tyvek attached by either staples, screws or nails. Then layer back on the panels that you removed earlier. Do the same for the other side but do not attach the panels to the structure, itself as this side will become the door.





5> REMOVE CORNER

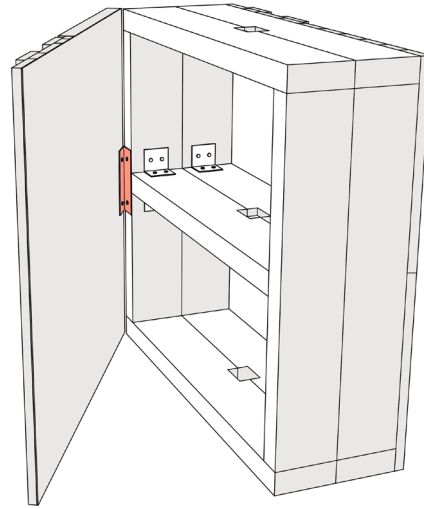
To personalize our Book Stop, we removed the corner on both sides. This was done using a sawzall but a regular saw will do. You can also make this cut prior to attaching the panels back on.



6> TWIST CORNERS

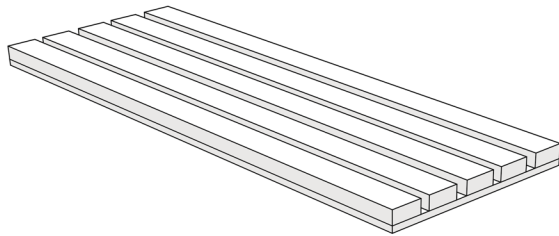
Turn the scrap pieces 45 degrees and attached on to the corner. Trim edges as necessary.

Now is a good time to sand again, stain and paint.



7> ATTACH DOOR

You can attach the door many ways. This specific prototype uses 2 large hinges. The door knob is an opportunity to personalize your books stop. This prototype used a stem cap from an old bicycle. If you need to secure the door further, you can add a latch.



8> ROOF

The roof is built to hang over the library structure by a couple inches on each side. We chose to cant the roof on this prototype to double as a lean rail, perch, or surface to rest bags while waiting for the bus.





9> ATTACH TO BUS POLE

You'll have three pieces, both sides of the library and the roof, that all come together on the pole. The two sides of the library are attached to each other using 2 simpson plates. Slide the structure up or down the pole to get it to the desired height and then add the plumbing collar underneath the entire structure. This prototype uses 2 plumbing collars to make it more secure.

Attach the roof flat or on a slant using a shim underneath.

